

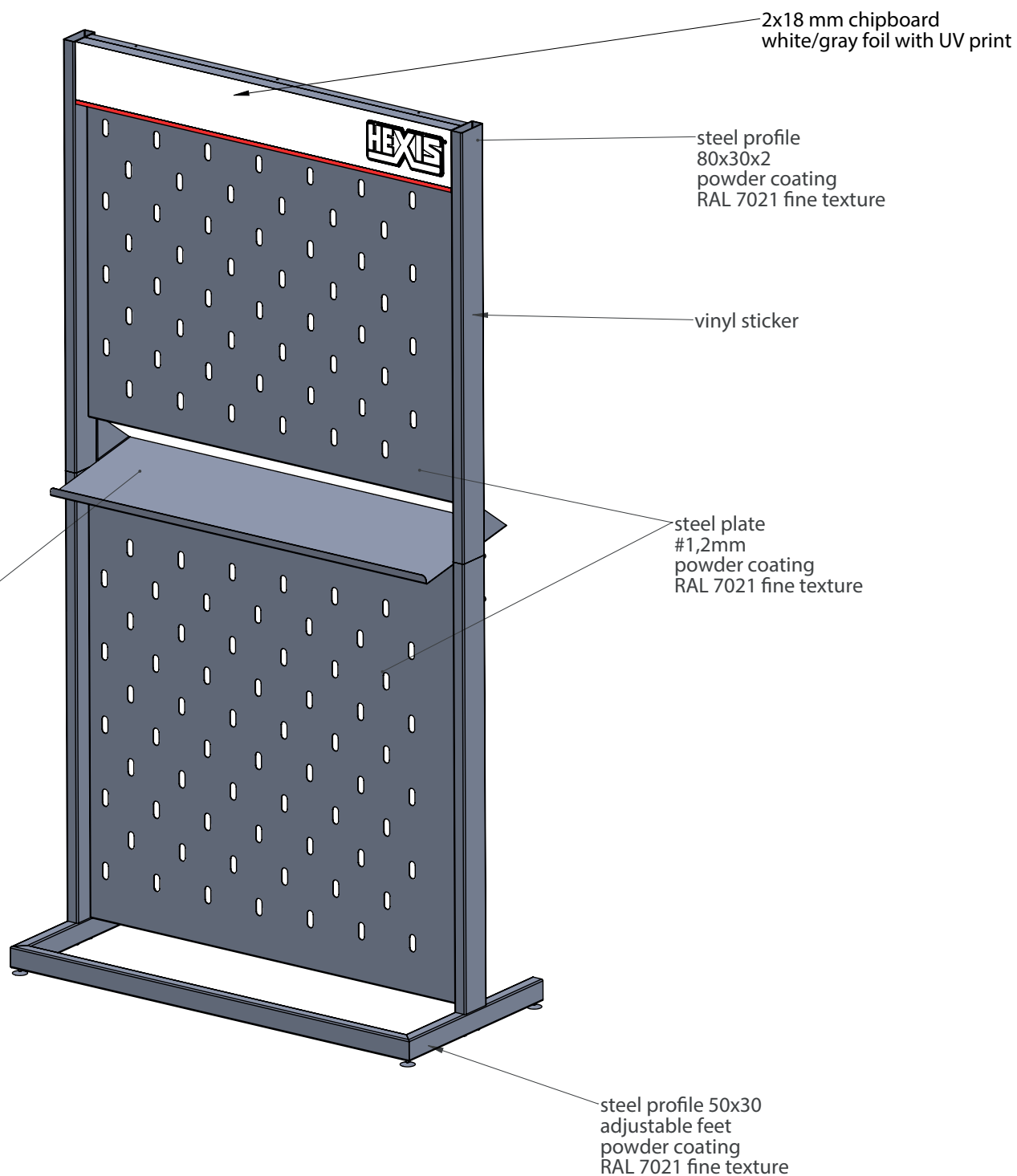
# OFFICIAL SKINTAC DISPLAY



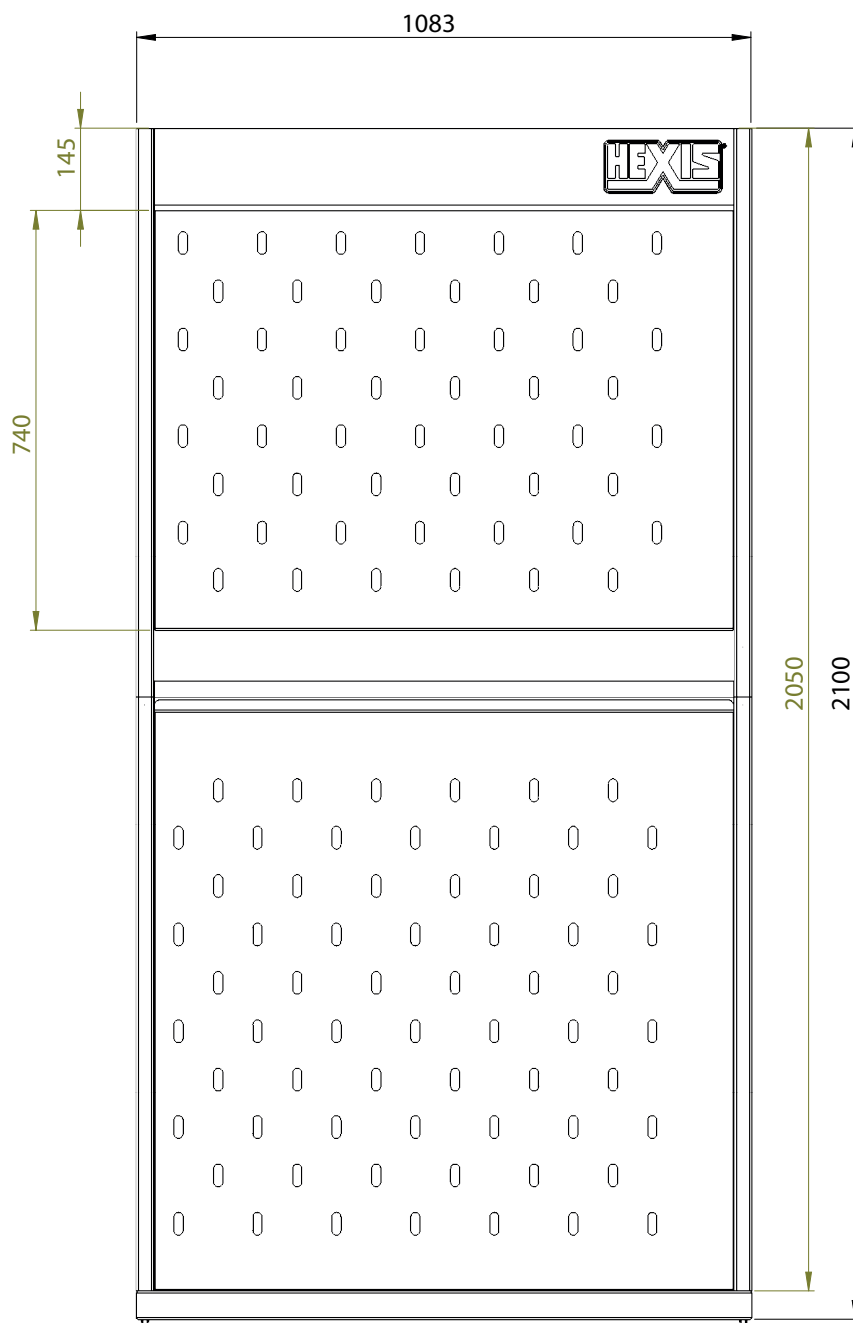
TECHNICAL  
SPECIFICATIONS



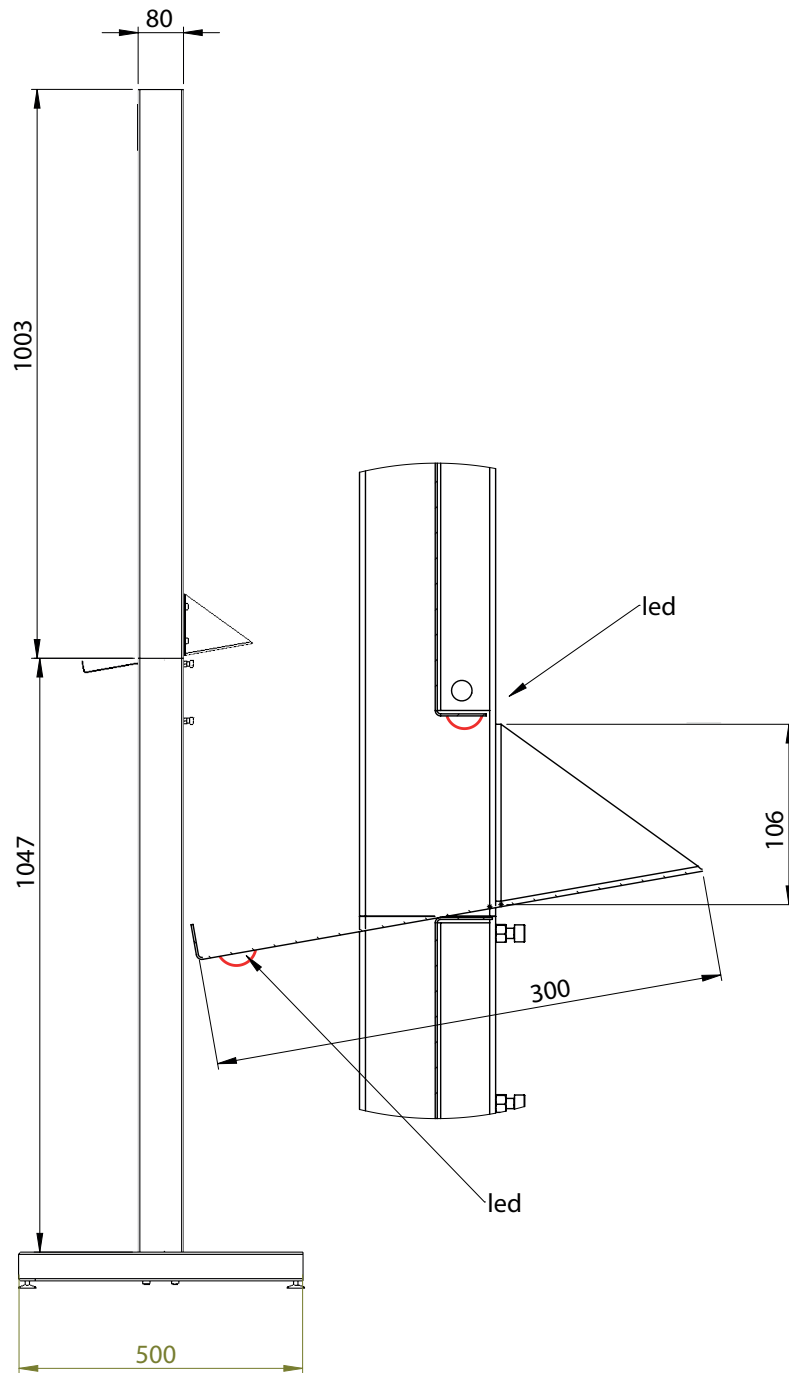
# DISPLAY FEATURES



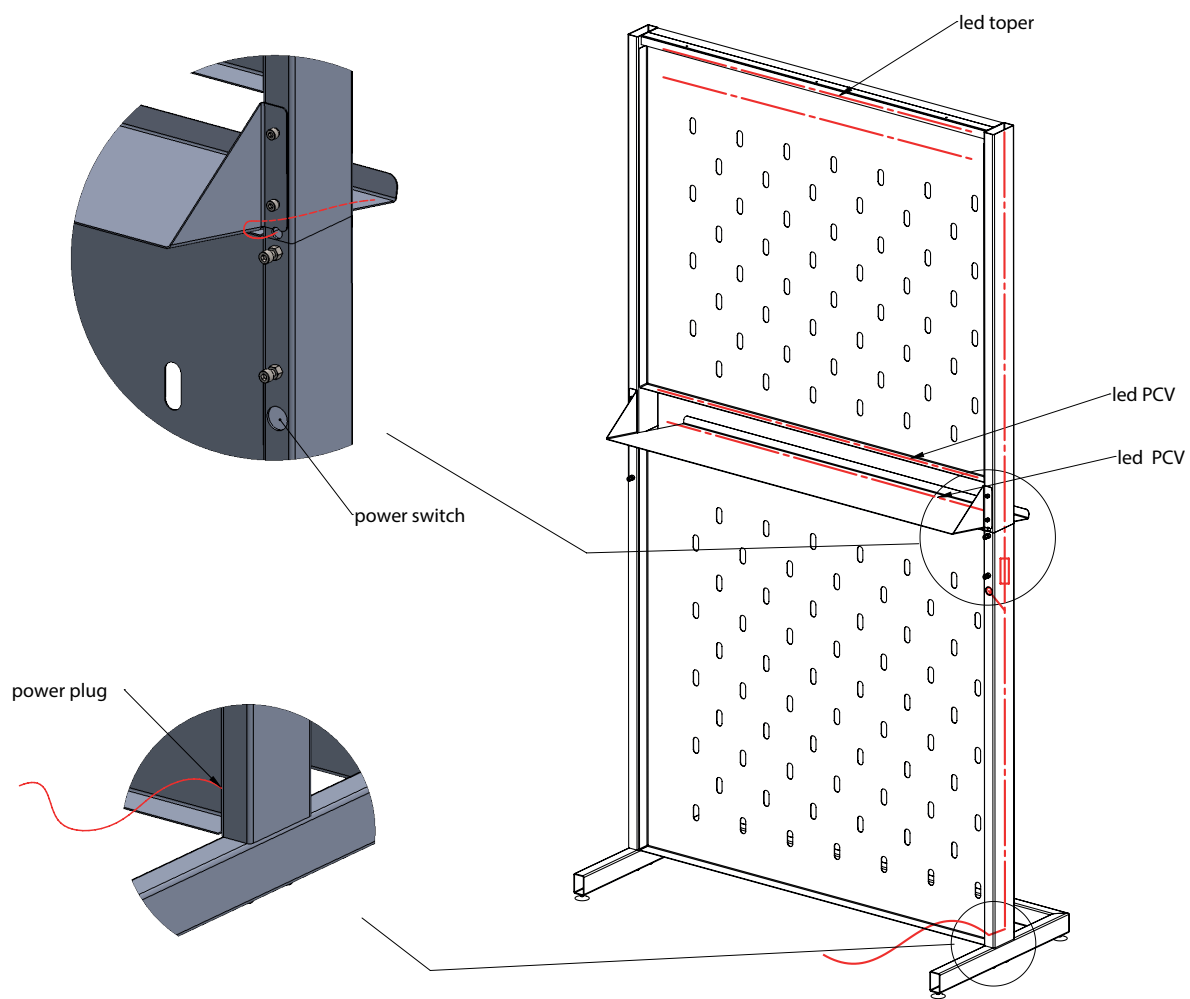
# DISPLAY DIMENSIONS



# DISPLAY DIMENSIONS



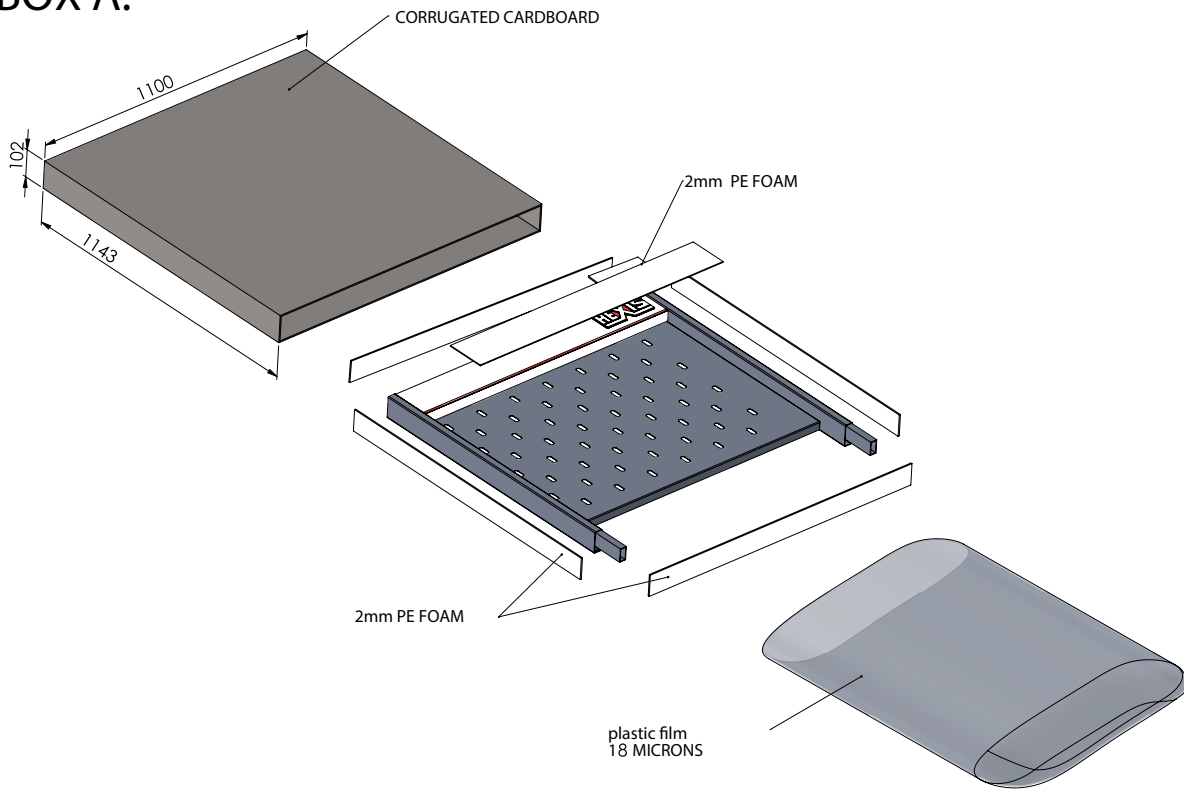
# DISPLAY DIMENSIONS



# DISPLAY PACKING

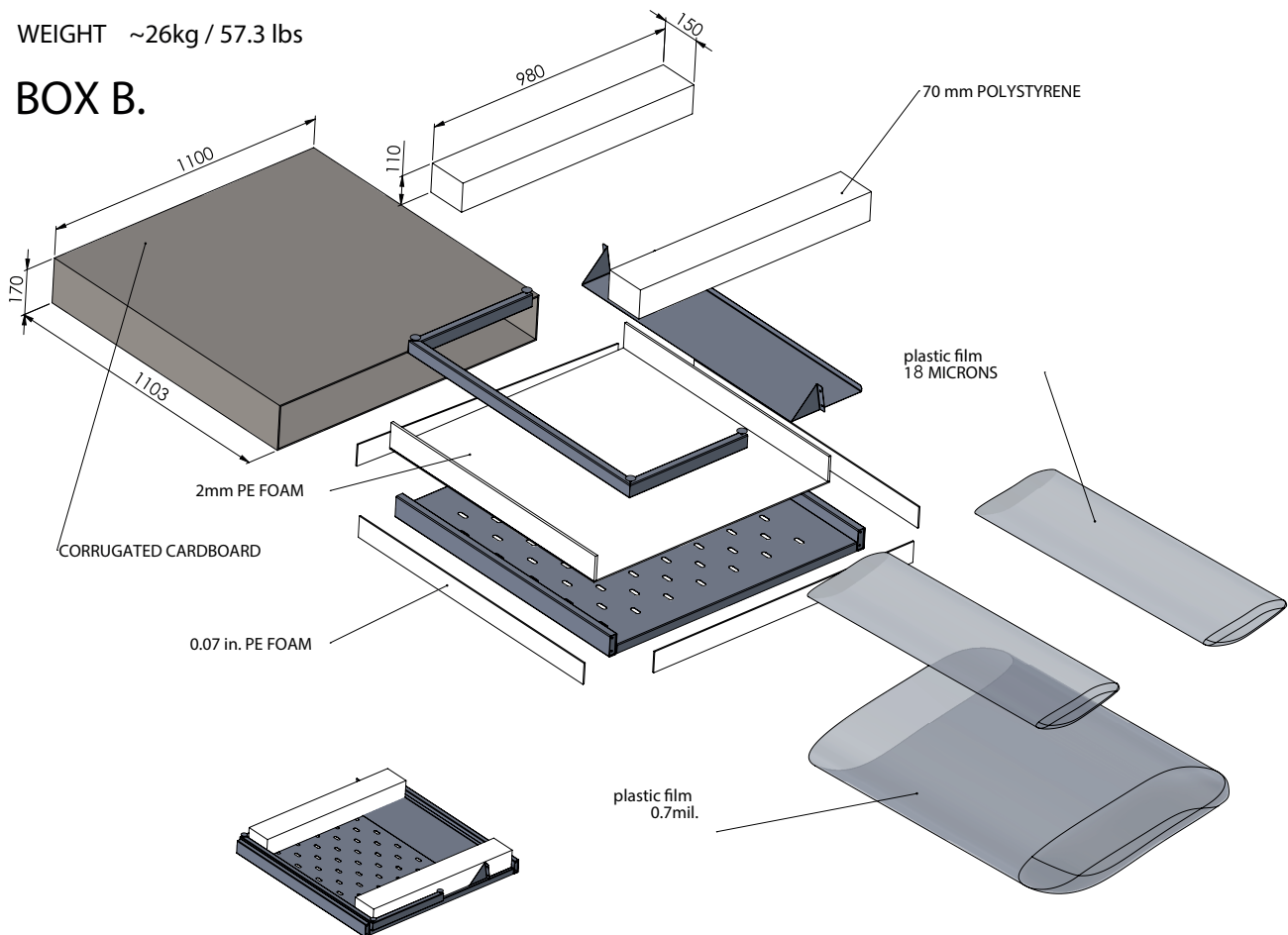
WEIGHT ~20kg / 44 lbs

## BOX A.



WEIGHT ~26kg / 57.3 lbs

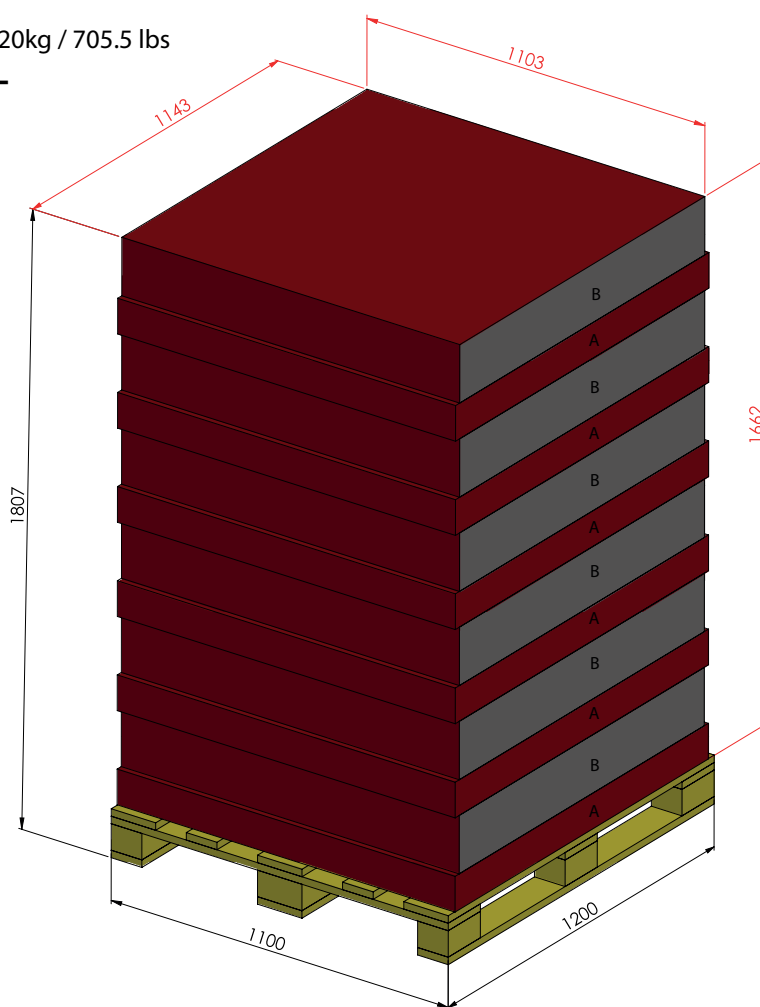
## BOX B.



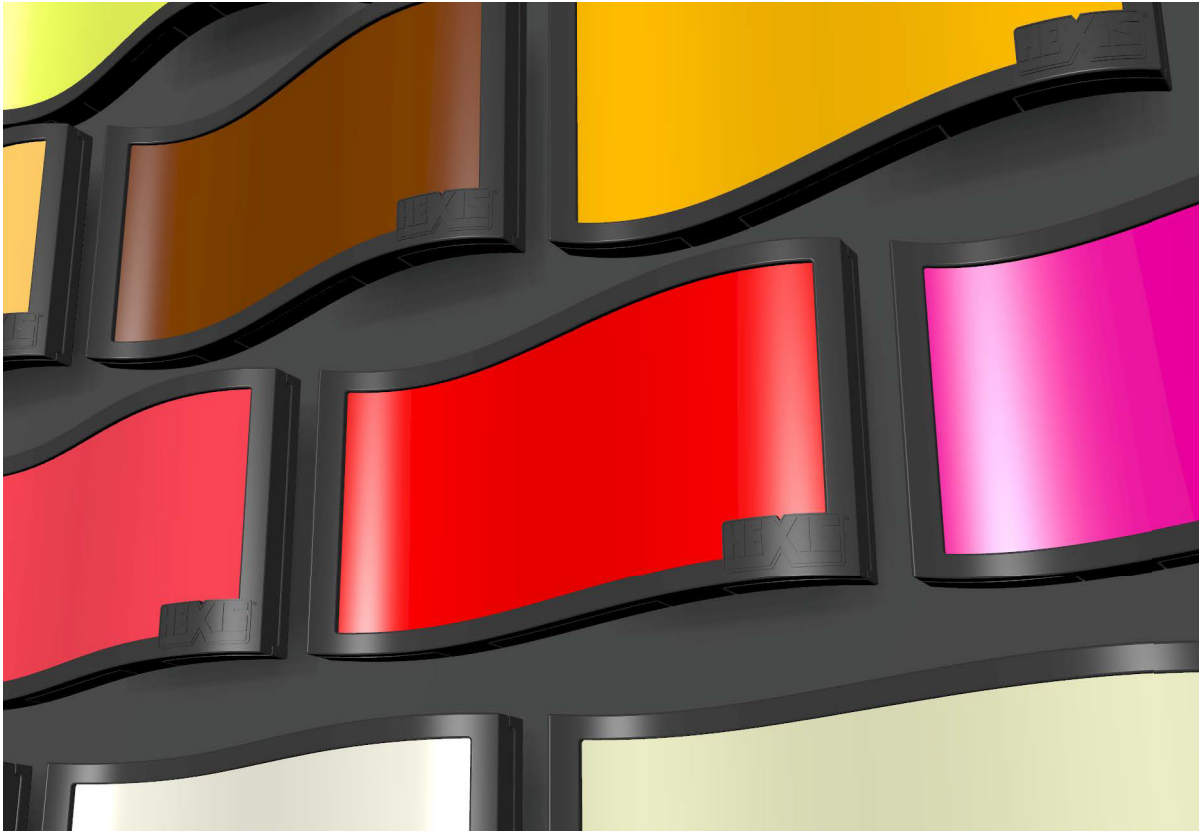
# DISPLAY PACKING

WEIGHT ~320kg / 705.5 lbs

PALLET







SAMPLE HOLDER DIMENSIONS :  
132X67X44mm- 5.19X2.63X1.73 in.

